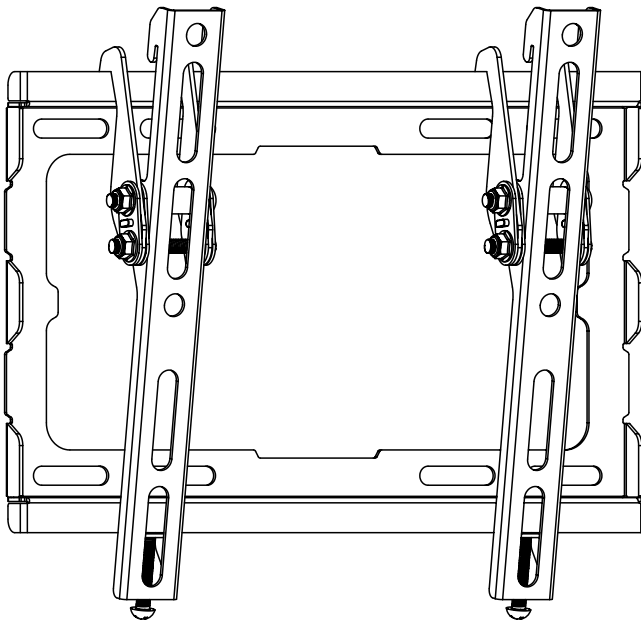




INSTRUCTION
MANUAL

TILT TV WALL MOUNT

23" to 43" Televisions

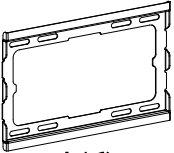


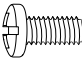
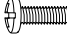

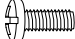






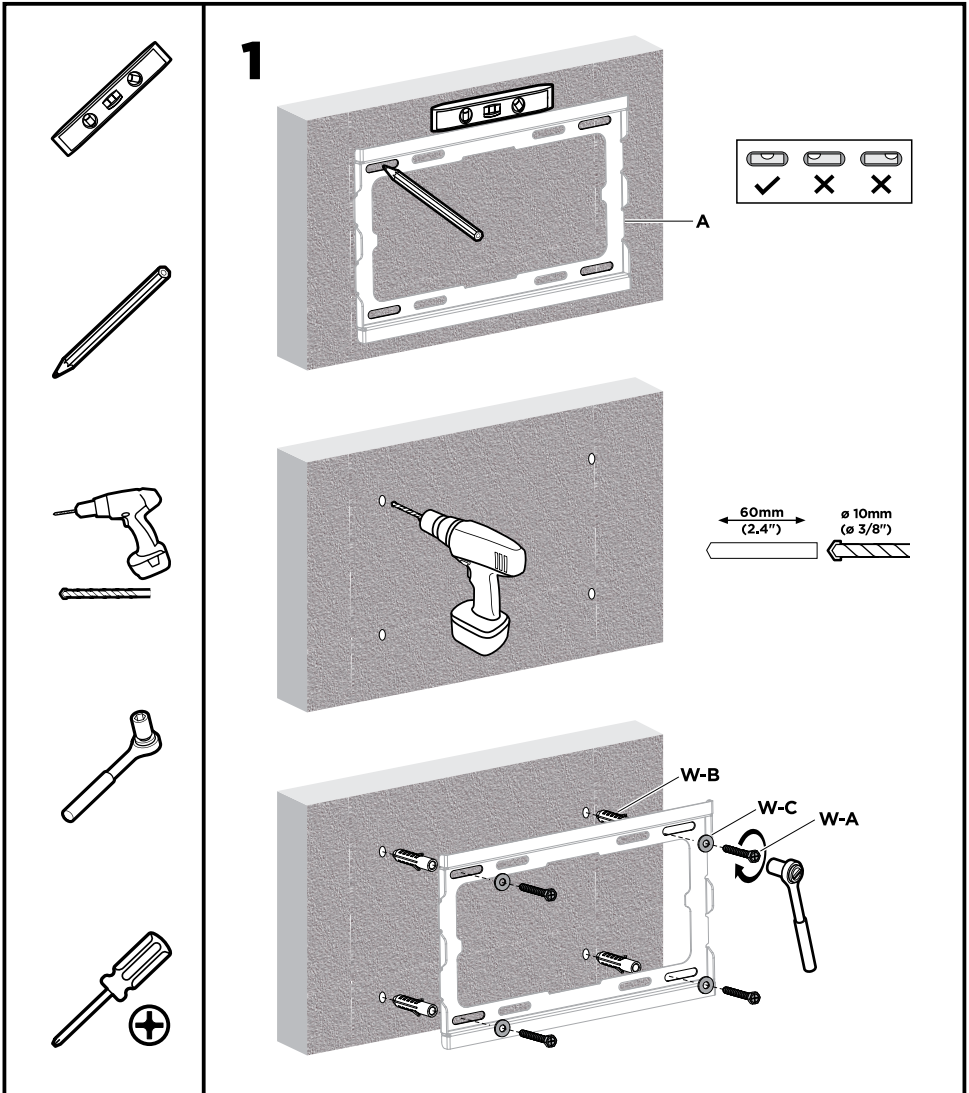
**VESA
COMPATIBLE**
200 x 200 OR LESS

43"
MAX

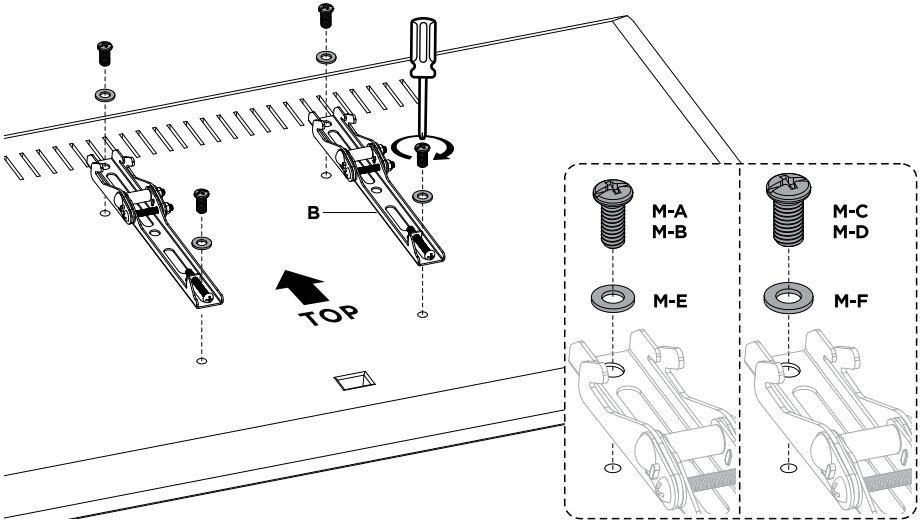
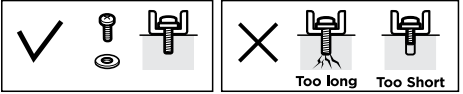
**45kg
(99lbs)
RATED**

TM2343

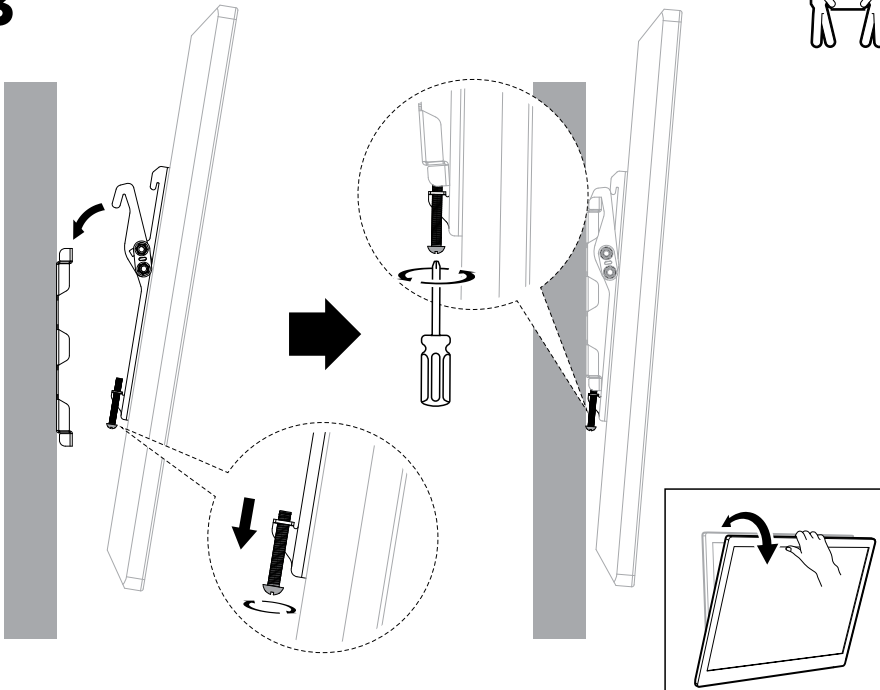
 <p>A (x1)</p>  <p>B (x2)</p>	 <p>M-A (x4) M4x14</p>  <p>M-D (x4) M8x15</p>	 <p>M-B (x4) M5x14</p>  <p>M-E (x4) D5</p>	 <p>M-C (x4) M6x14</p>  <p>M-F (x4) D8</p>	 <p>W-A (x4) ST6.3x55</p>  <p>W-B (x4) Ø10x45</p>  <p>W-C (x4) D6</p>
---	---	--	--	---



2



3



WARNING

The wall structure must be capable of supporting at least a maximum weight of the television. If not, the wall must be reinforced. Proper installation procedure by a qualified service technician, as outlined in the installation instructions, must be adhered to. Failure to do so could result in serious personal injury, or even death.

Safety measures must be practiced at all times during the installation of this product. Use proper safety gear and tools for the installation procedure to prevent personal injury.

Prior to the installation of this product, the installation instructions should be read and completely understood. The installation instructions must be read to prevent personal injury and property damage. Keep these installation instructions in an easily accessible location for future reference.

- A secure structure must support the weight or load of the display. When mounting to a wall that contains wooden studs, dead center of the wooden stud must be confirmed prior to installation.
- Do not install on a structure that is prone to vibration, movement, or chance of impact. Failure to do so could result in damage to the display and/or damage to the mounting surface.
- Do not install near heater, fireplace, direct sunlight, air conditioning, or any other source of direct heat energy. Failure to do so may result in damage to the display and could increase the risk of fire.
- At least two qualified people should perform the installation procedure. Injury and/or damage can result from dropping or mishandling the display.

NOTE: Recommended mounting surfaces include: wooden studs and solid-flat concrete. If the mount is to be installed on any surface other than wooden studs, use suitable hardware (which is commercially available).

TECHNICAL SUPPORT

In case of problems, please call Vanco Technical Support at 1-800-626-6445. You can also email technical support issues to techsupport@vanco1.com.

When calling, please have the model number, serial number (affixed to the bottom of the unit) and invoice available for reference during the call. Please read this instruction manual prior to calling or installing this unit since it will familiarize you with the capabilities of this product and its proper installation.