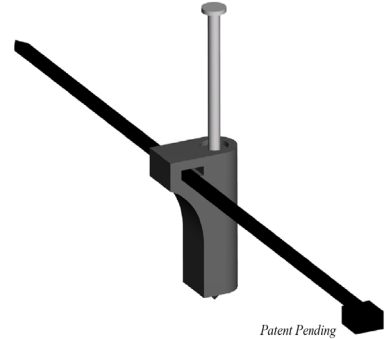


**Quick Tye-Standoff**

**QuickTye™ Nail-In Stand Off**

- A Quick and Easy Way to Attach and Secure Cable to Studs During Installation
- Simple Idea Offers Big Solutions for Installers - Saving Time and Money
- Installs in 1/3 time of traditional methods
- Accommodates cables of varying bundle sizes
- Ideal for installing coax cable, Category networking cable, home theater audio cable, security cable and telephone wire
- Patent pending



Patent Pending

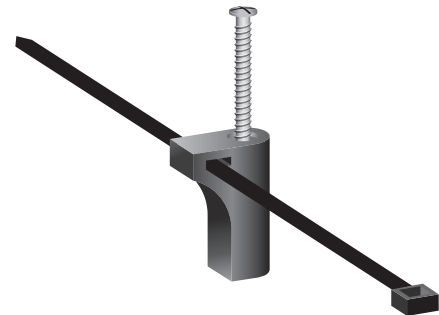
**Cable Tie/Clip Specifications:**

- Type: Nail-In Zinc Plated 2" (L)
- PVC Clip Size: 1-1/8" (L) x 3/4" (W) x 3/8" (D)
- Tensile Strength: 50 lbs
- Flammability Rating: 94V-2
- Working Temperature: - 40 to 85 C
- UV Resistance: Good
- Color: Black

Product No.	Type	Width	Qty.	Pkg.
20-06600-25	8-Inch	.14"	25	Clam Shell
20-06600-100	8-Inch	.14"	100	Polybag
20-06811-25	11-Inch	.19"	25	Clam Shell
20-06811-100	11-Inch	.19"	100	Polybag

**QuickTye™ Screw-In Stand Off**

- A Quick and Easy Way to Attach and Secure Cable to Studs During Installation
- Simple Idea Offers Big Solutions for Installers - Saving Time and Money
- Installs in 1/3 time of traditional methods
- Accommodates cables of varying bundle sizes
- Ideal for installing coax cable, Category networking cable, home theater audio cable, security cable and telephone wire
- Patent pending



**Cable Tie/Clip Specifications:**

- Type: Screw-In Zinc Plated 1-3/4" (L)
- ABS Clip Size: 1-1/8" (L) x 15/16" (W) x 3/8" (D)
- Tensile Strength: 50 lbs
- Flammability Rating: 94V-2
- Working Temperature: - 40 to 85 C
- UV Resistance: Good
- Color: Black

Product No.	Type	Width	Qty.	Pkg.
20-08600-25	8-Inch	.14"	25	Clam Shell
20-08600-100	8-Inch	.14"	100	Polybag
20-08811-25	11-Inch	.19"	25	Clam Shell
20-08811-100	11-Inch	.19"	100	Polybag

