

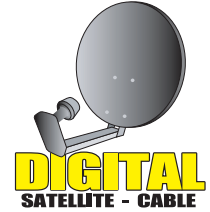


**BULK CABLE
AND WIRE**

RG6/U Solid Copper Center Coax Cable

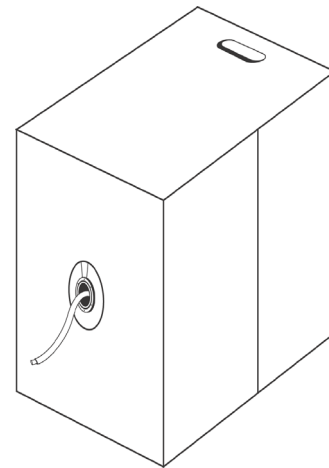
Features:

- Digital and Satellite Compatible
- Suitable for Broadband Applications
- Heavy Duty Shielding and Superior Performance
- Greater Pull Strength



Specifications:

- Coax Type: RG6/U
- Gauge: 18 AWG, 1.02 mm
- Center Conductor: Solid Bare Copper
- Dielectric: 4.57 mm Gas Foam PE
- Shield: 100% Bonded Al-Poly Film Overlap
- Braid: 60%, Coverage, Al-MG Strands 80/.12 mm
- Central Conductor DC Resistance: 6.5 Ohm, 1000 ft.
- Shield DC Resistance: 10.5 Ohm, 1000 ft.
- Impedance: 75 Ohm, +/- 3
- Velocity of Propagation: 82%
- PVC: Rated to - 40 Degrees Celcius to 75 Degrees Celcius
- Jacket: 6.86 mm Flame Retardant PVC Jacket
- Swept Test to 3.0 GHz
- Foot Marked: Descending, 1 ft. Increments
- Color: Black
- UL Listed
- Packaging: Reel-In-Box
- Weight: 30 lbs



Product No.	Color	Length	Pkg.
RG6UL60BC-1000	Black	1000 ft	Box



VANCO SALES 1-800-626-6445

Fax Orders 1-630-879-9189 • Visit Our Website at www.Vanco1.com • 506 Kingsland Dr., Batavia, IL 60510

Form # LRG6USolidCopper_1